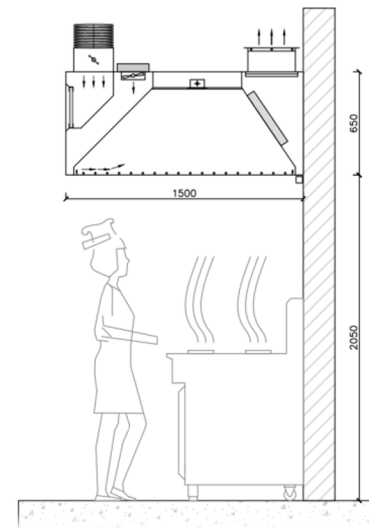


ENVIROHOOD QUICK COMMISSIONING GUIDE



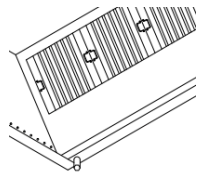
1. HOOD POSITION & LOCATION

- Check that each section of the Envirohood is level.
- Check Envirohood has the right amount overhang over the cooking equipment.
- Refer to Envirohood drawings and specification sheet for installation heights (Note 2000 mm – 2100mm installed from finished floor height to underside of the hood).



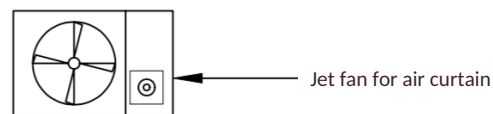
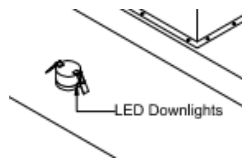
3. STAINLESS STEEL KITCHEN FILTERS / DRAIN PLUGS

- Check all stainless steel kitchen filters have been installed correctly and are easily removable.
- Check all spacers are in the correct position of the hood & middle trim installed if hood in sections
- Check all drain plugs are secured properly.



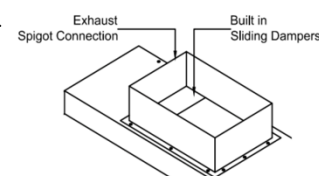
4. POWER

- Check if LED downlights for Envirohood and air curtain jet fan are connected together.
- Connections are connected together on top of the hood



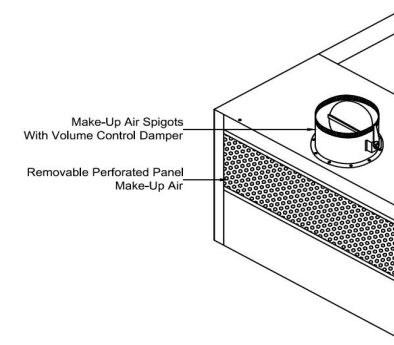
5. EXHAUST AIRFLOW

- Before measuring exhaust airflows make sure the kitchen exhaust fan is ON.
- Airflows for the exhaust can be adjusted inside by built in sliding dampers.
- Airflow can be easily balanced by sliding the damper across accordingly.



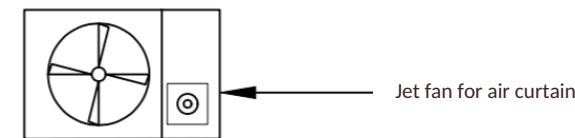
6. SUPPLY AIR

- Before measuring the supply air make sure the supply fan is ON.
- Airflows for the supply air can be adjusted via VCD on the make up air spigots.
- Make sure front face perforated panel is correctly inside the slots (push up and pull down).



7. JET FAN SETTINGS FOR AIR CURTAIN

- VSD control for the centrifugal backward curve air curtain is located on top of the hood.
- Jet fan is factory set and commissioned.
- Settings of 1 – 10 can be easily adjusted by using small screwdriver to adjust accordingly.



8. TROUBLESHOOTING

- If there any faults issues occur with the Envirohood please contact AOS.