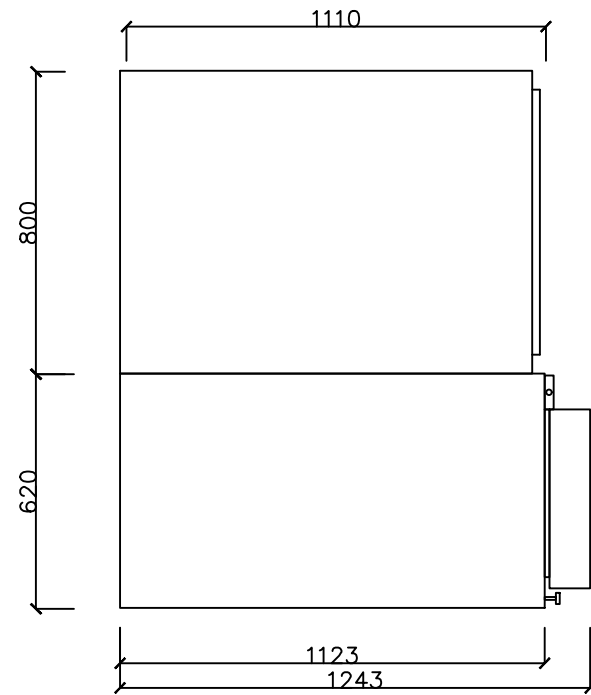
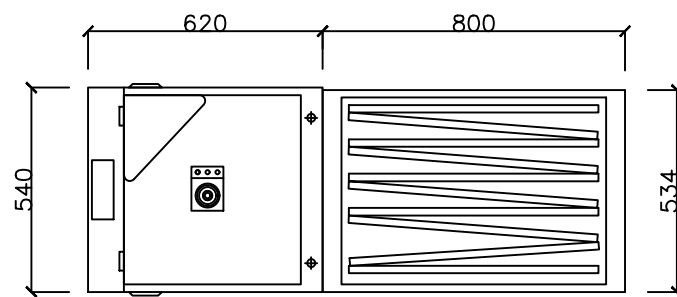


Electrostatic Air Cleaner with UV Ozone and Activated Carbon V Bank

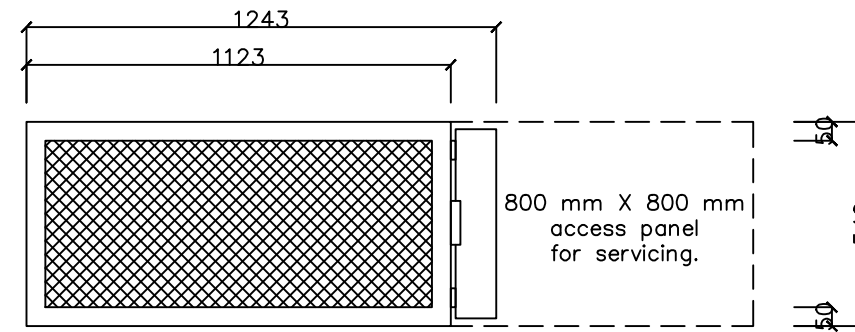
RY5000B - UV - ACF



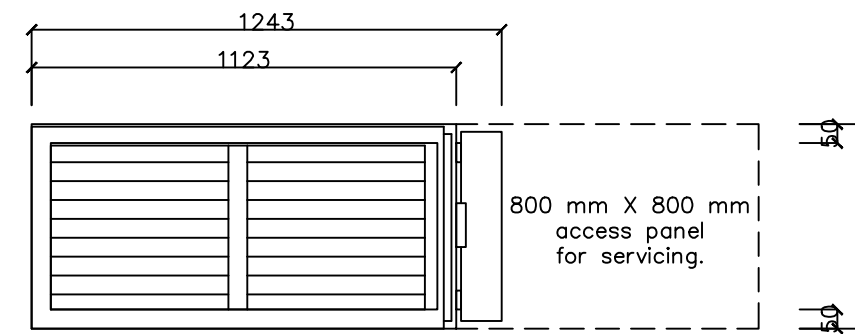
1 PLAN VIEW
Scale 1:20@A3



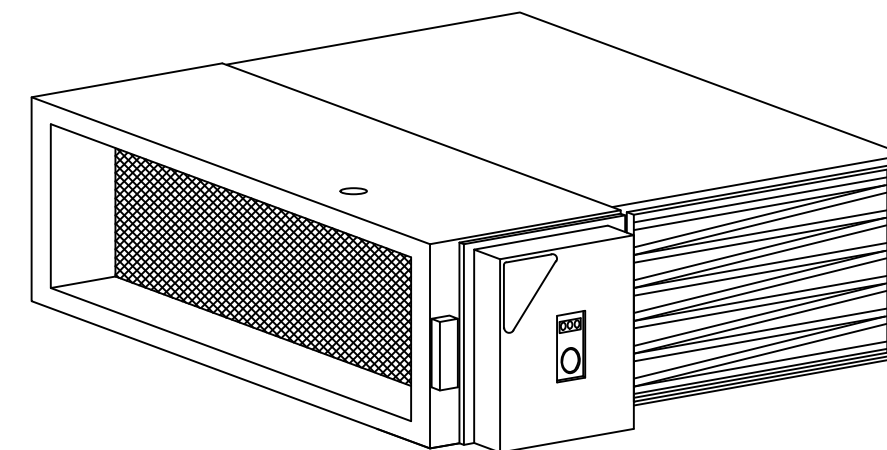
2 FRONT VIEW
Scale 1:20@A3



3 END VIEW (INLET)
Scale 1:20@A3



4 END VIEW (OUTLET)
Scale 1:20@A3



5 ISOMETRIC VIEW
Scale 1:20@A3