



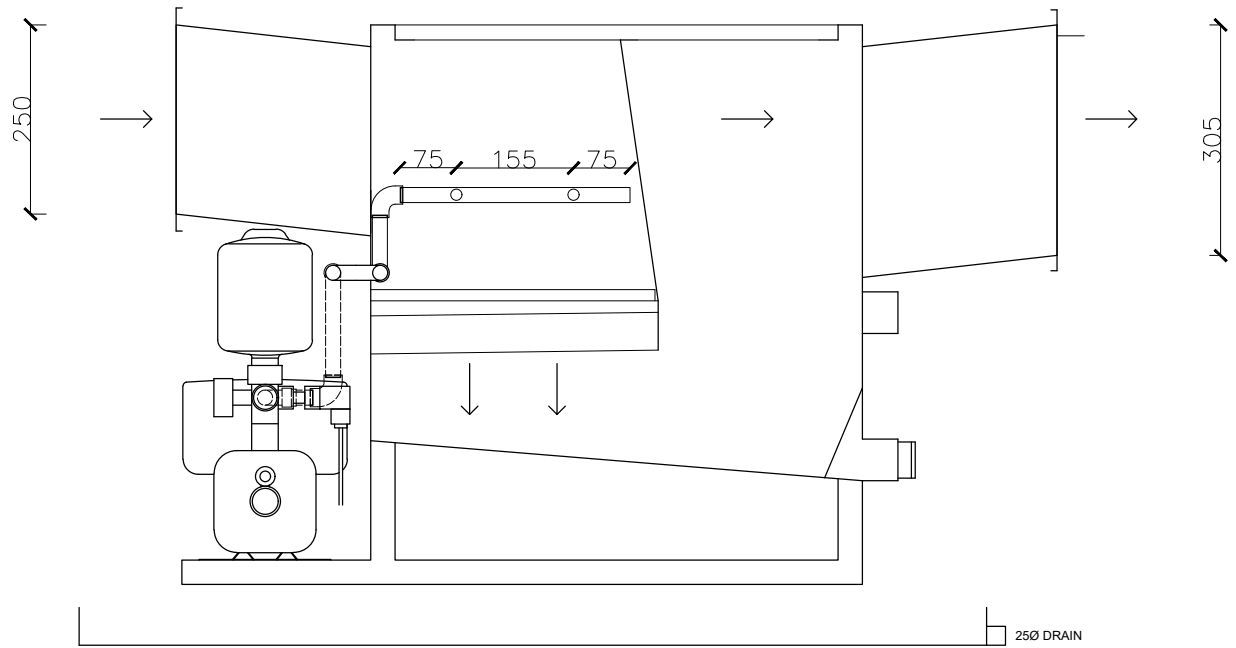
## MIST TEC - 2500

MIST TEC SIGN OFF:

Print name:

Sign:

Date:



STAINLESS STEEL OVERFLOW WATER TRAY 1200 X 700 X 50

250 DRAIN

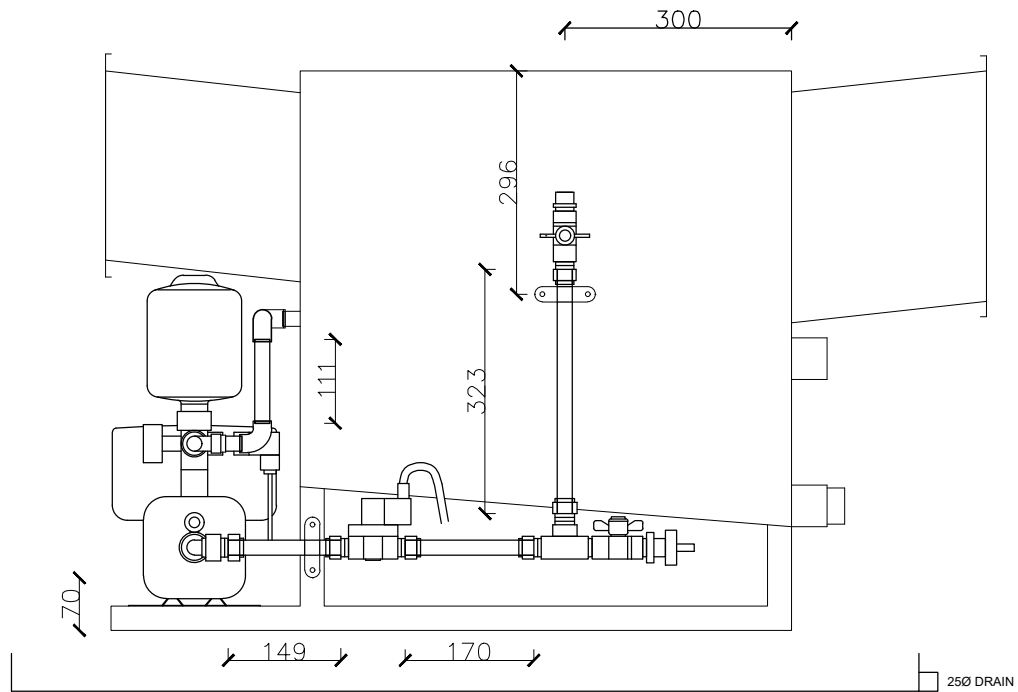
FRONT SECTION  
1:10 @ A4



A.O.S AUSTRALIA  
TEL : (02) 9721 0020  
EMAIL : info@aosaus.com.au  
WEBSITE : www.aosaus.com.au



**MIST TEC - 2500**



STAINLESS STEEL OVERFLOW WATER TRAY 1200 X 700 X 50

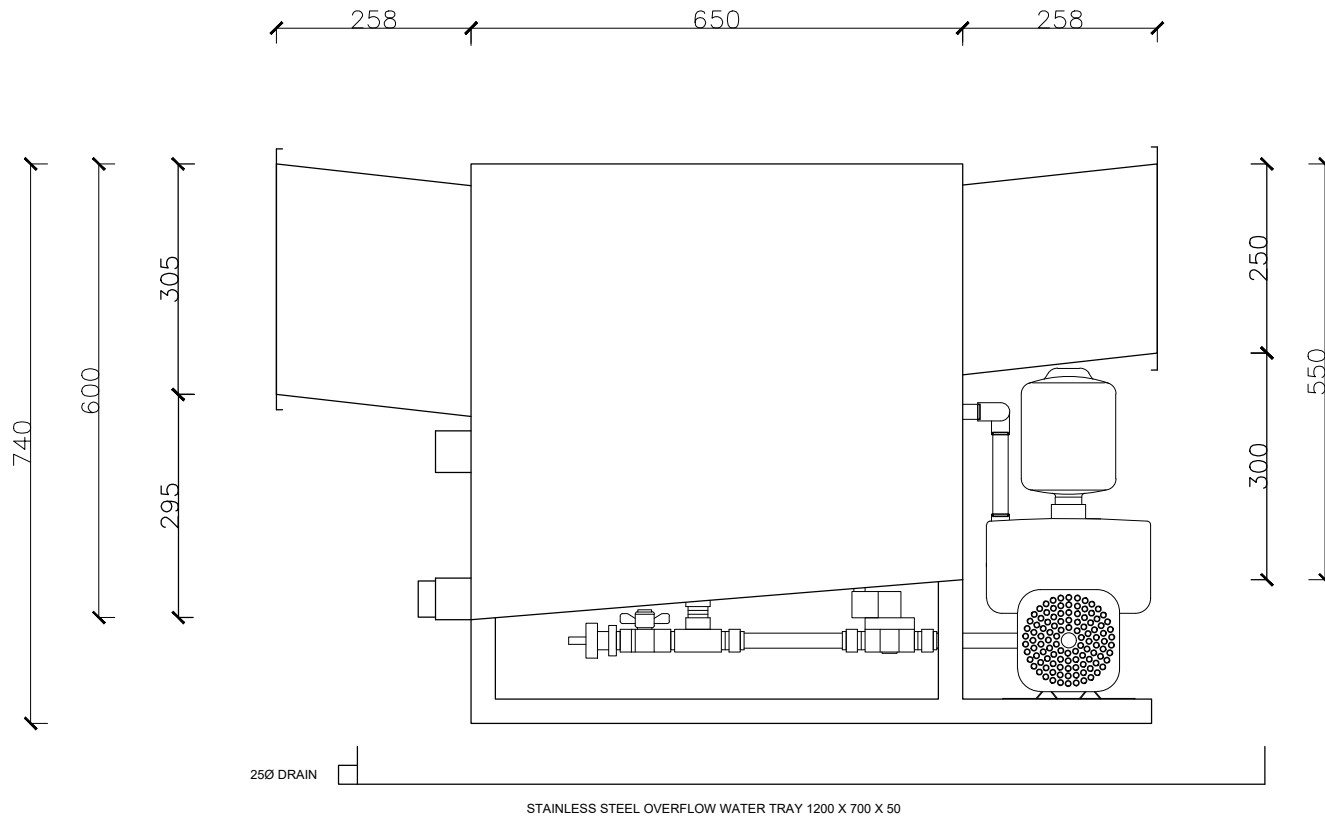
FRONT ELEVATION  
1:10 @ A4



A.O.S AUSTRALIA  
TEL : (02) 9721 0020  
EMAIL : info@aosaus.com.au  
WEBSITE : www.aosaus.com.au



**MIST TEC - 2500**



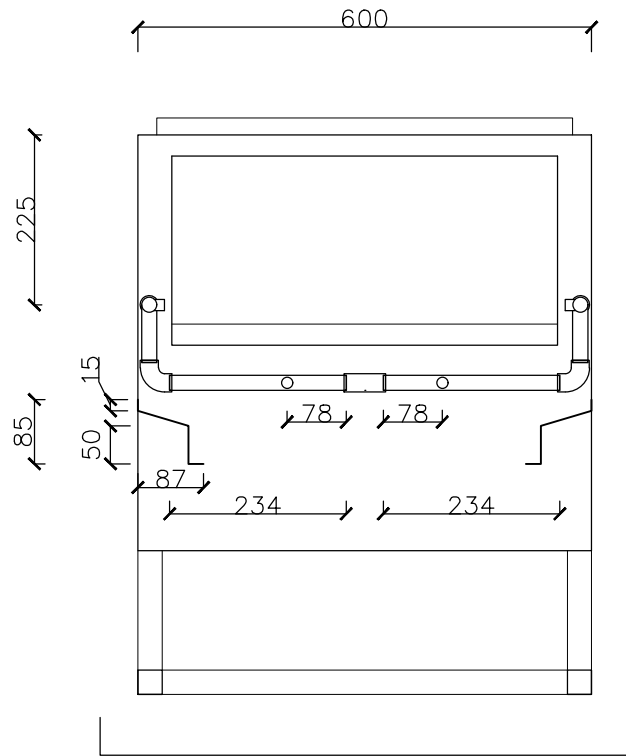
○ BACK ELEVATION  
1:10 @ A4



A.O.S AUSTRALIA  
TEL : (02) 9721 0020  
EMAIL : info@aosaus.com.au  
WEBSITE : www.aosaus.com.au

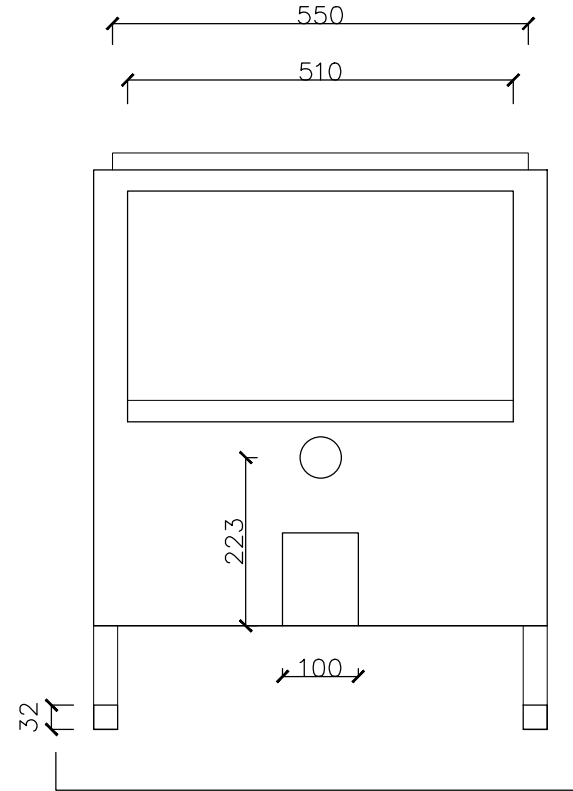


**MIST TEC - 2500**



STAINLESS STEEL OVERFLOW WATER TRAY 1200 X 700 X 50

○ SHORT SECTION A  
1:10 @ A4



STAINLESS STEEL OVERFLOW WATER TRAY 1200 X 700 X 50

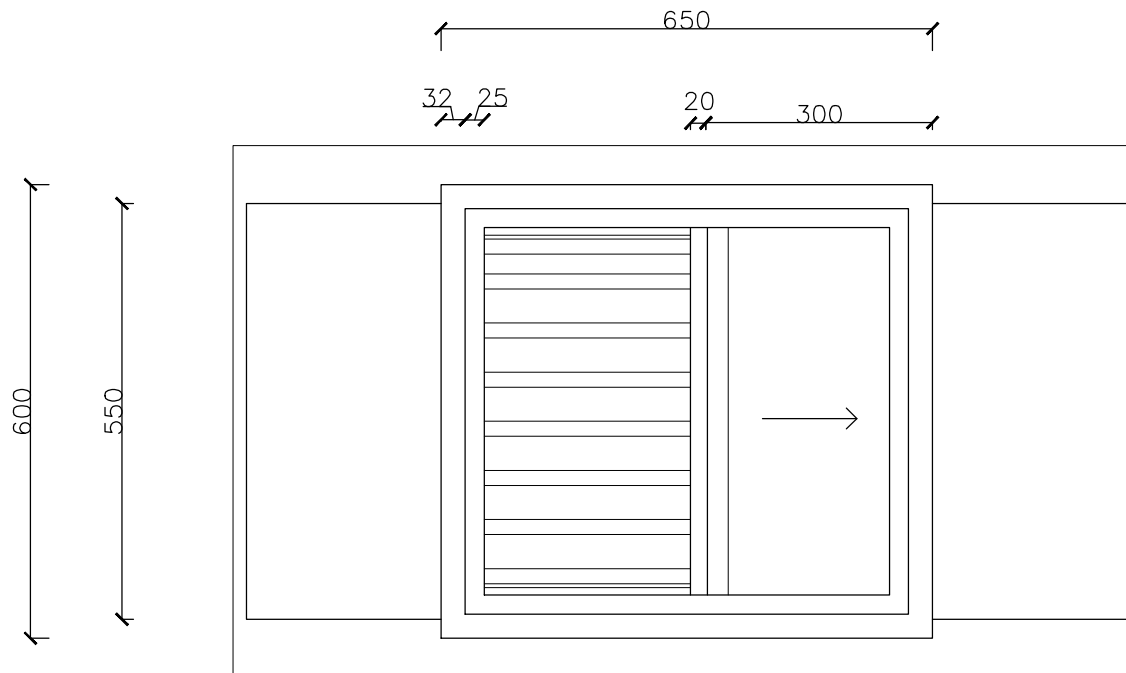
○ SHORT SECTION B  
1:10 @ A4



A.O.S AUSTRALIA  
TEL : (02) 9721 0020  
EMAIL : info@aosaus.com.au  
WEBSITE : www.aosaus.com.au



**MIST TEC 2500**



STAINLESS STEEL OVERFLOW WATER TRAY 1200 X 700 X 50

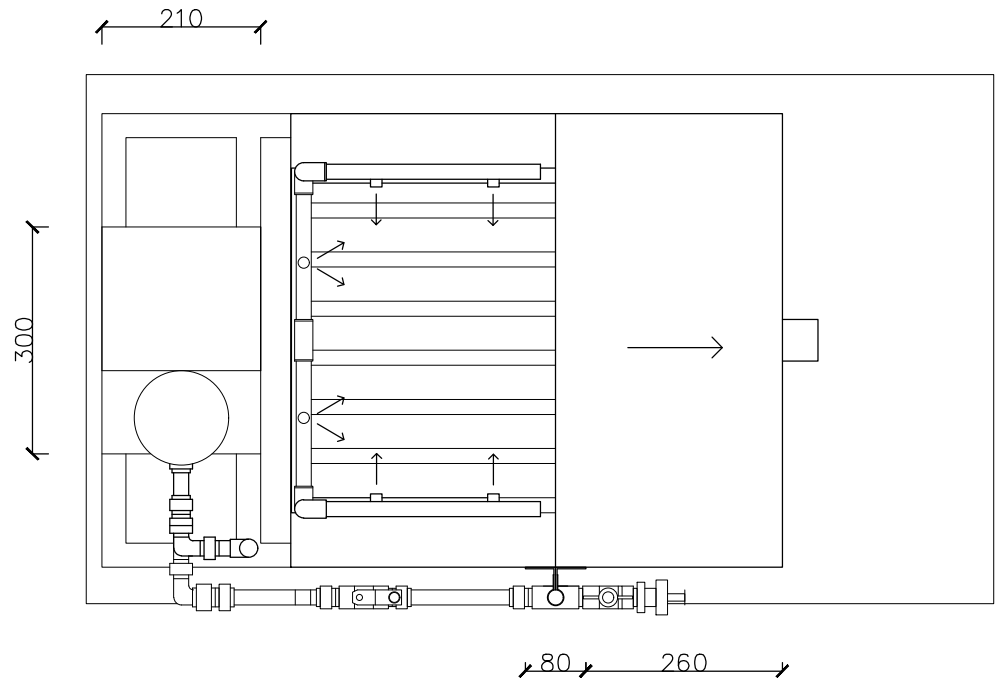
TOP ELEVATION  
1:10 @ A4



A.O.S AUSTRALIA  
TEL : (02) 9721 0020  
EMAIL : info@aosaus.com.au  
WEBSITE : www.aosaus.com.au



**MIST TEC - 2500**



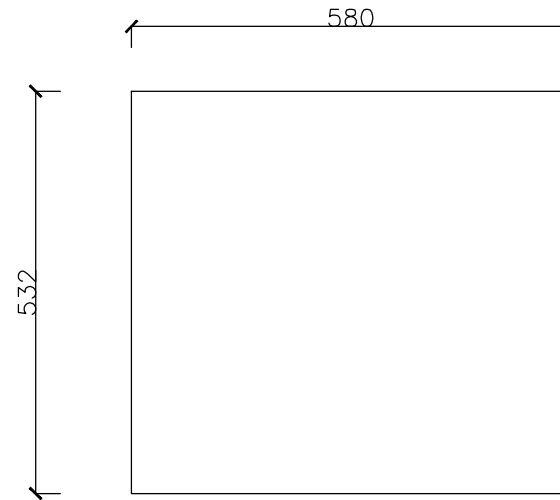
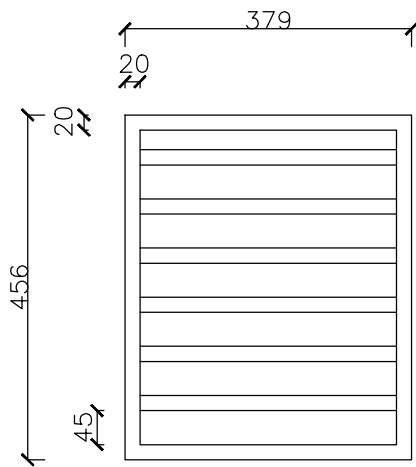
PLAN  
1:10 @ A4



A.O.S AUSTRALIA  
 TEL : (02) 9721 0020  
 EMAIL : info@aosaus.com.au  
 WEBSITE : www.aosaus.com.au



**MIST TEC - 2500**



○ FILTER  
1:10 @ A4

○ SERVICE LID  
1:10 @ A4



A.O.S AUSTRALIA  
TEL : (02) 9721 0020  
EMAIL : info@aosaus.com.au  
WEBSITE : www.aosaus.com.au



**MIST TEC - 2500**